

PRODUCT DETAILS

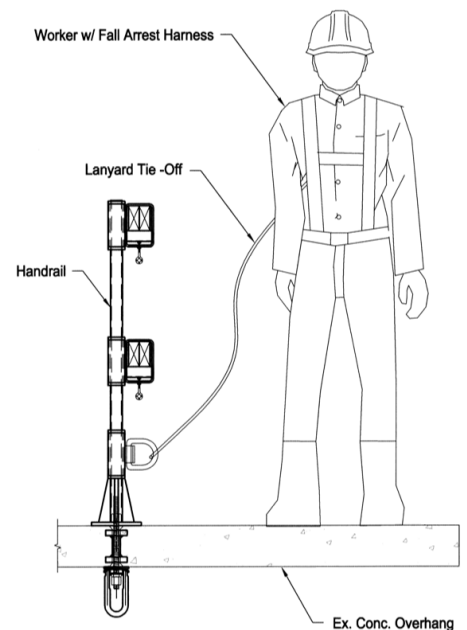
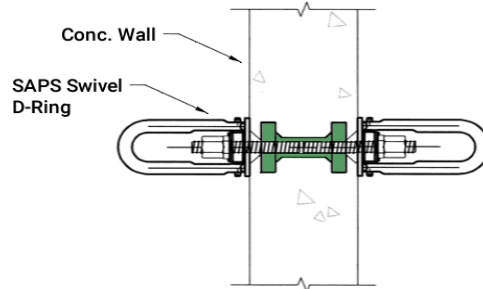
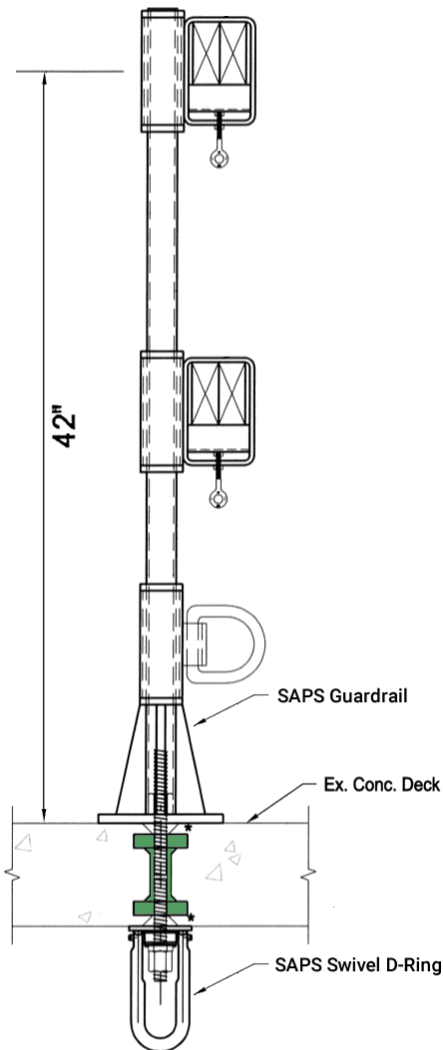
The SAPS Dualie Anchor® embeds directly into a concrete slab. Available in 5 inch through 24 inch heights to match any slab depth.



Use a SAPS guardrail along with a swivel d-ring on the ceiling below. The SAPS Dualie Anchor® can also be embedded directly into a concrete wall and used with up to (2) swivel d-rings at the same time.

FEATURES

- 5000 lb tie-off anchor
- Embeds directly into concrete slab
- Dual point of tie-off



PART NO.	SIZE	DESCRIPTION
SAPS Dualie Anchor®	5" - 24" H	Guardrail dual anchor embed
SAPS Dualie Plug	one size	Replacement part
SAPS Swivel D-Ring	one size	D-Ring 5000 lb point of tie-off
SAP21D	2' 0.5" H	21 Inch Guardrail with D-Ring 5000 lb point of tie-off
SAP42D	3' 9.5" H	42 Inch Guardrail with D-Ring 5000 lb point of tie-off
SAP60D	5' 3.5" H	60 Inch Guardrail with D-Ring 5000 lb point of tie-off