

SAPS GUARDRAIL | CONCRETE - WIRE CABLE

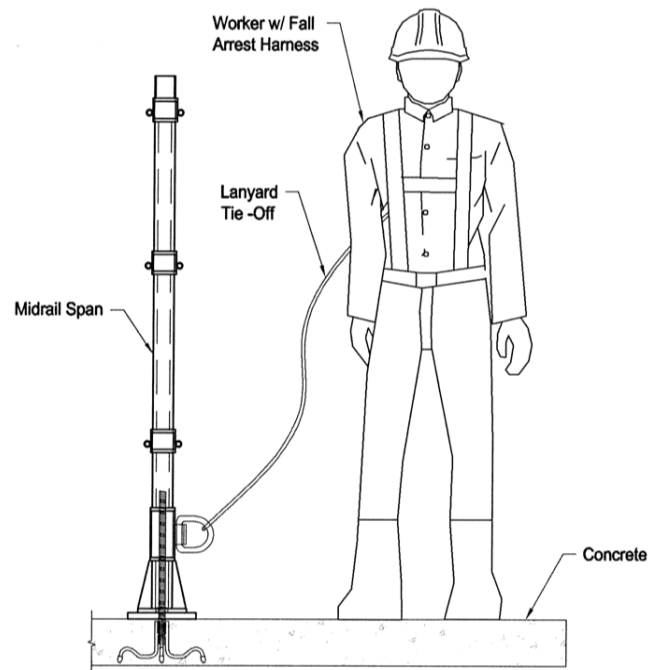
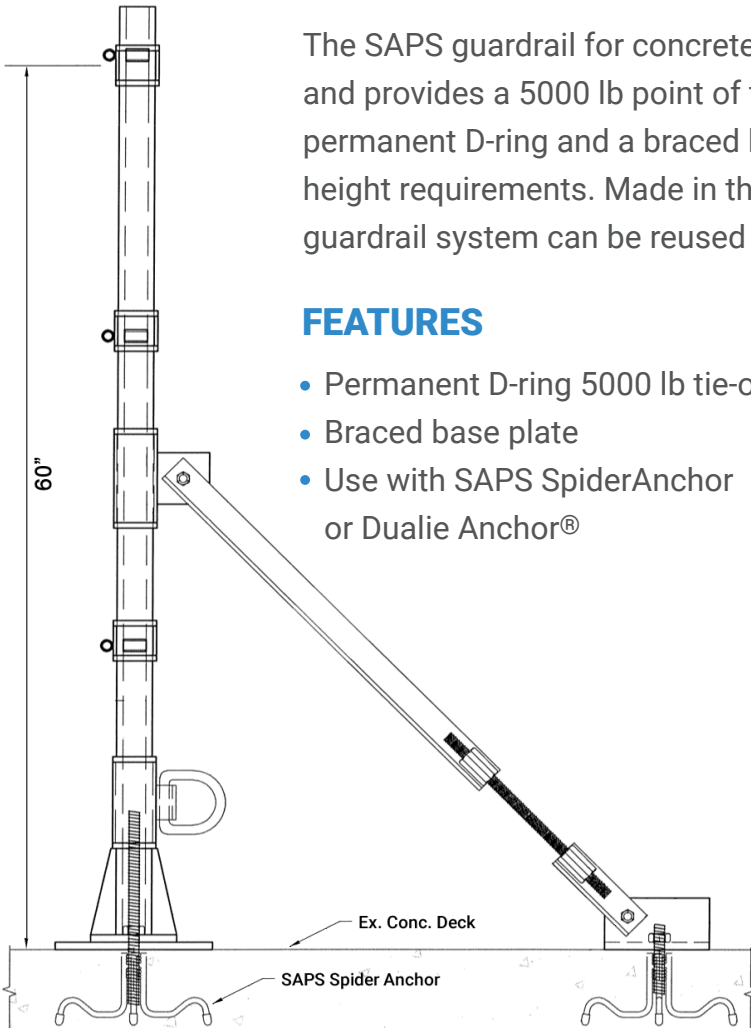
safetyanchorpost.com

PRODUCT DETAILS

The SAPS guardrail for concrete applications attaches to an embedded anchor and provides a 5000 lb point of tie-off. Used with wire rope cable. Featuring a permanent D-ring and a braced base plate for maximum support. Meets OSHA height requirements. Made in the United States with heavy-duty steel, this guardrail system can be reused time over time.

FEATURES

- Permanent D-ring 5000 lb tie-off
- Braced base plate
- Use with SAPS SpiderAnchor or Dualie Anchor®



PART NO.	SIZE	DESCRIPTION
SAP60DW	5' 4" H	60 Inch Wire Cable Guardrail with D-Ring
SAP60DWC	5' 4" H	60 Inch Wire Cable Guardrail with D-Ring (Corner)
SAPS Kicker Brace	one size	Replacement part for SAP60DWC
SAPS Spider Anchor	6" - 24" H	Guardrail anchor embed
SAPS Dualie Anchor®	5" - 24" H	Guardrail dual anchor embed
SAPS Toeboard 14 Inch	14" W x 14" D	Toeboard attachment



Safety Anchor Post System®
 9630 Bruceville Rd #106
 Elk Grove, CA 95757

USA Phone: (800) 377-1632
 Email: info@safetyanchorpost.com
 Canada Phone: (604) 803-5032