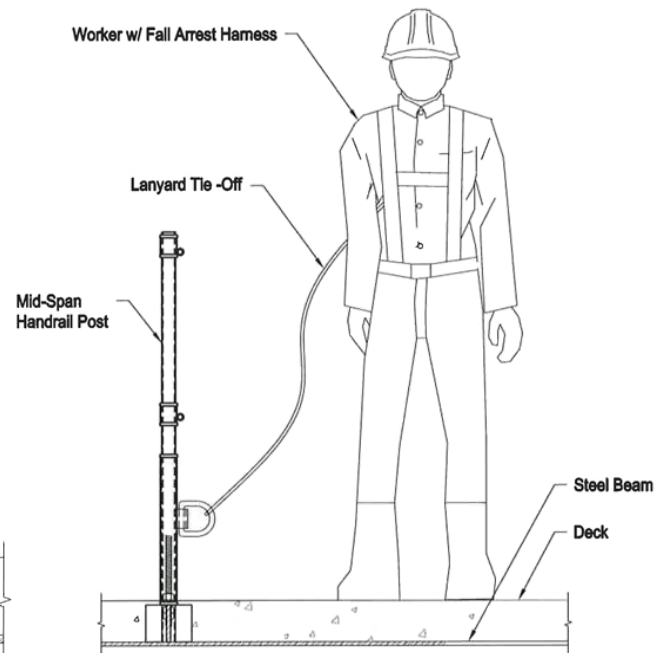
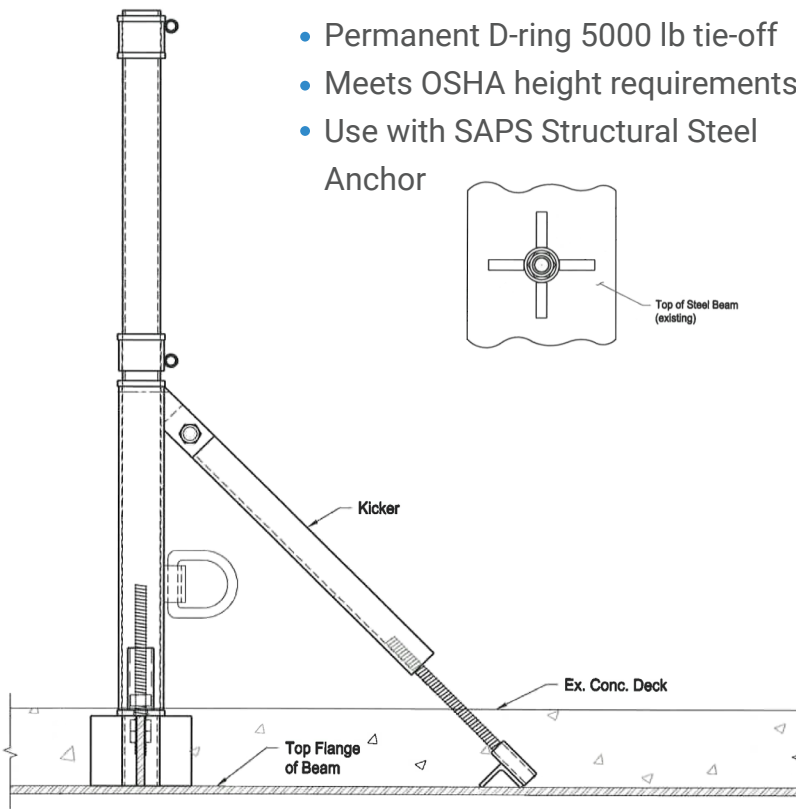


## PRODUCT DETAILS

The SAPS guardrail for structural steel applications is surface mounted on a welded embed and provides a 5000 lb point of tie-off. The 42 inch model meets OSHA height requirements. Made in the United States with heavy-duty steel, this guardrail system can be reused time over time.

## FEATURES

- Permanent D-ring 5000 lb tie-off
- Meets OSHA height requirements
- Use with SAPS Structural Steel Anchor



PART NO.	SIZE	DESCRIPTION
SAPM42DW	3' 9.5" H	42 Inch Structural Steel Guardrail with D-Ring
SAPM42DWC	3' 9.5" H	42 Inch Structural Steel Guardrail with D-Ring (Corner)
SAPS Structural Steel Kicker Brace	one size	Replacement part for SAPM42DWC
SAPS Structural Steel Anchor	2" H x 9.5" D x 9.5" W	Guardrail welded embed (Call for custom sizes)
SAPS Structural Steel Toeboard	3" H x 6" D x 3" W	Toeboard attachment for SAPM42DW & SAPM42DWC