

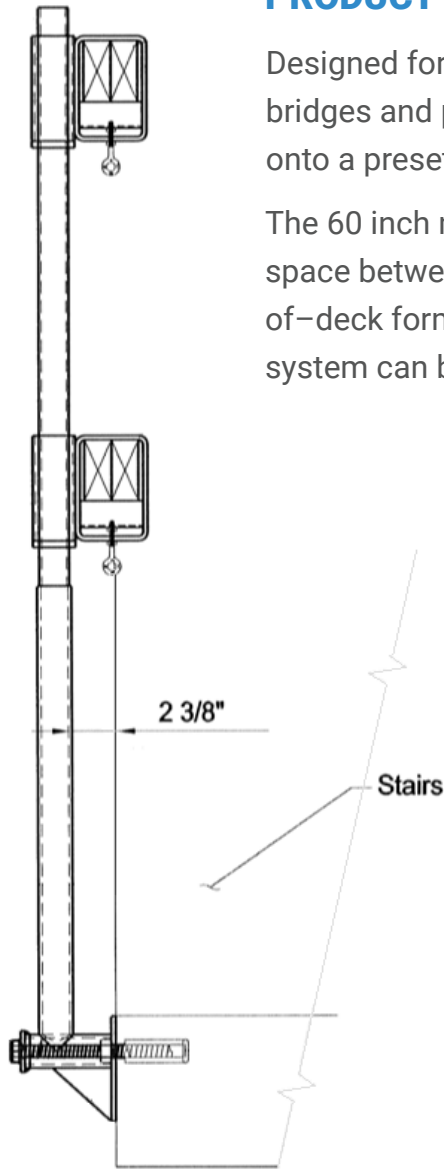
SAPS HANDRAIL | CONCRETE - SIDE MOUNT

safetyanchorpost.com

PRODUCT DETAILS

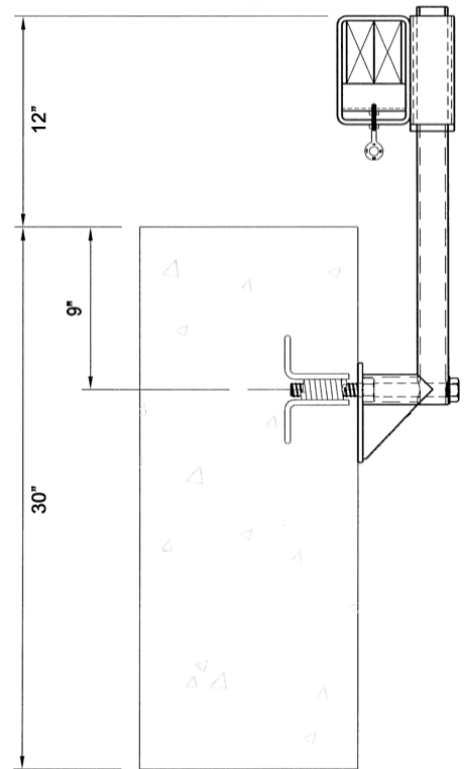
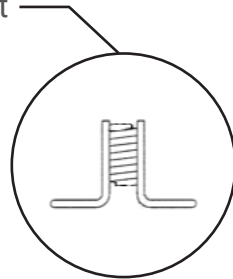
Designed for limited space edge-of-deck concrete applications such as stairs, bridges and parapet or retaining walls. The SAPS side mount handrail bolts onto a preset embed to provide rigid support.

The 60 inch model meets OSHA height requirements and provides 2 3/8" of space between the face of the wall and the post, allowing room for an edge-of-deck form. Made in the United States with heavy-duty steel, this guardrail system can be reused time over time.



FEATURES

- Rotatable rail member brackets with vise clamping
- Use with Flared Thin Slab Coil Insert



PART NO.	SIZE	DESCRIPTION
SAP30HS	2' 6" H	30 Inch Side Mount Handrail
SAP60HS	5' H	60 Inch Side Mount Handrail
Flared Thin Slab Coil Insert	3.5"H x 6"L	Handrail anchor embed



Safety Anchor Post System®
9630 Bruceville Rd #106
Elk Grove, CA 95757

USA Phone: (800) 377-1632
Email: info@safetyanchorpost.com