

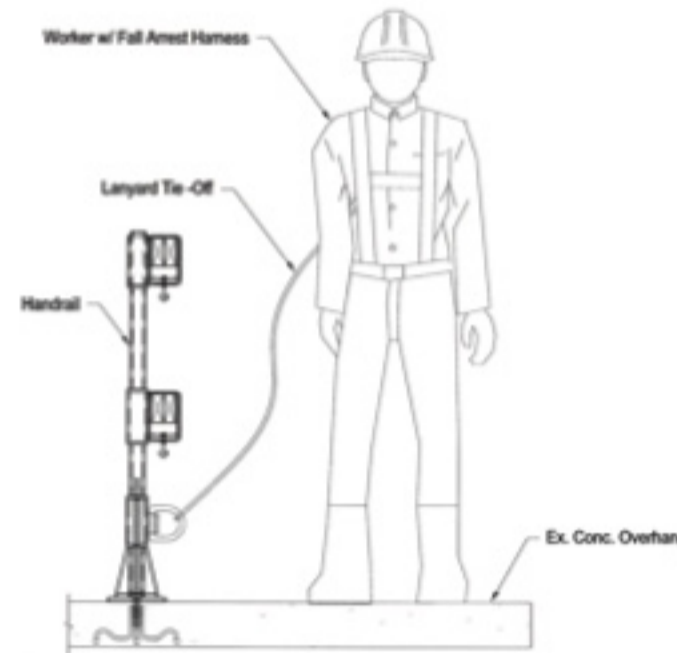
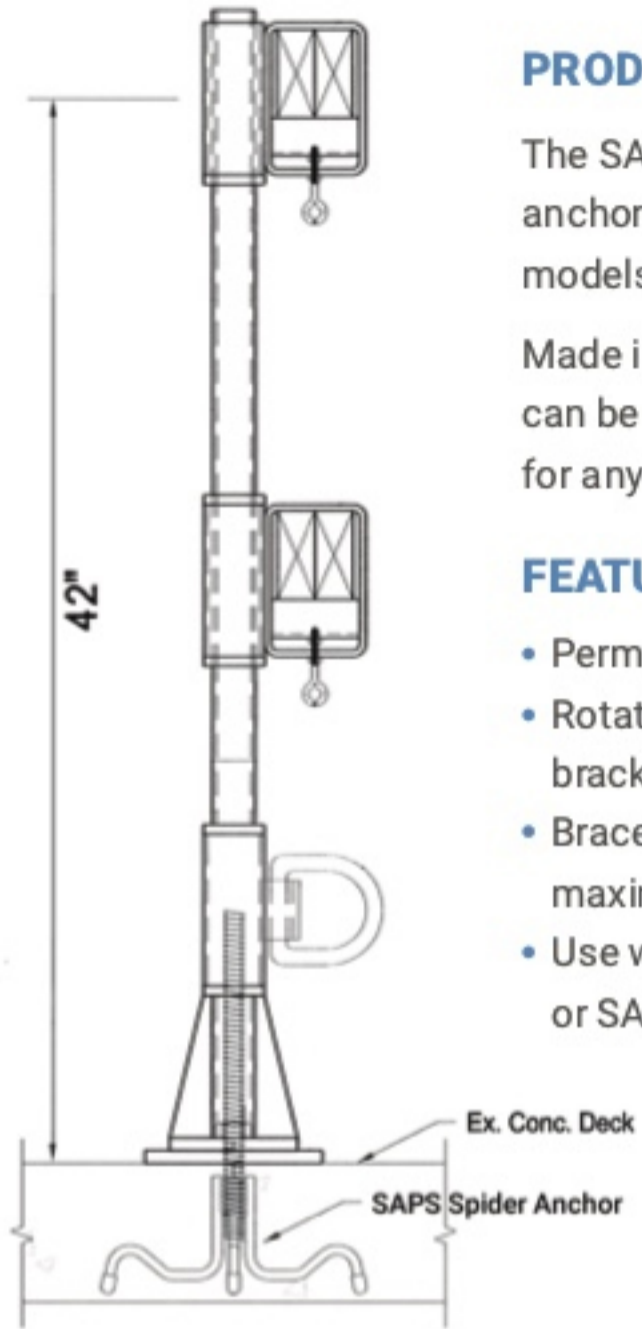
PRODUCT DETAILS

The SAPS guardrail for concrete applications attaches to an embedded anchor and provides a 5000 lb point of tie-off. The 42 inch and 60 inch models meet OSHA height requirements.

Made in the United States with heavy-duty steel, this guardrail system can be reused time over time. Installs in under a minute without the need for any tools.

FEATURES

- Permanent D-ring
- Rotatable rail member brackets with vise clamping
- Braced base plate for maximum support
- Use with SAPS Spider Anchor or SAPS Dualie Anchor



Safety Anchor Post

See Safety Anchor Post Demo on safetyanchorpost.com

- Fixed 5000 lbs. D-Ring rotates 360° with Follow the Worker technology.
- SAP42D Engineered for 100% Tie-Off and to Safely Support One Worker.
- SAP42D can be installed by a trained worker in under One Minute, with zero tools.
- SAP42D can be installed onto a Spider Anchor or Dualie Anchor, concrete must be 2500psi to use.
- SAPS are engineered Surface Thread Mount Anywhere PT cable Safe.

800-377-1632

SAP42D Retails \$315.00

Limited time Sale Offer

\$250.00ea.