

5,000 Pounds in Any Direction

Start with the end in mind

DATA Centers have roof with **ZERO CONCRETE**
SAPS SAP42D Pre-Slab Metal Deck



SAPS SAP42D Pre-Slab Metal Deck Anchor Protocol

I. System Capabilities & Design Loads

The SAPS SAP42D Pre-Slab Metal Deck Anchor serves as a certified perimeter guardrail stanchion (OSHA/ANSI compliant) and a dedicated 5,000 lbs tie-off point.

- **Guardrail Performance:** 200 lb. ultimate load capacity.
- **Fall Arrest Capacity:** 5,000 lbs.
- **Safety Factor:** 5:1 total assembly.
- **Structural Data:** Max Fall Arrest Force 1,000 lb; OTM 9.5 kip-in; Tensile Load 1.49 kips per fastener.
- **Spacing:** Maximum anchor spacing is 8'-00" on center.

II. Mandatory Installation Protocol

Zero substitutions, modifications, or exceptions permitted.

- **Preparation:** Clear 20ga metal deck substrate; seat SAPS SAP42D Pre-Slab Metal Deck Anchor plate firmly against profile.
- **Edge Distance:** Minimum distance of 4'-00" from any edge.
- **Trajectory Control:** Qualifies for Trajectory Control only if installed 8'-00" from any leading edge.
- **Fastening Schedule (Total 40 Screws):**
 - (32) 1/4" x 1" TEK screws: 16 per side of post.
 - (8) 1/4" x 3" TEK screws: 4 per side of stanchion.
- **Technique:** Install per Q-decking profile. Do not over-torque.

III. Use, Limitations, and Restrictions (ULR - ANSI/ASSP Z359)

- **Use (Authorized Application):** The system is intended exclusively for fall protection and guardrail use by authorized personnel, trained by a competent person in the inspection, use, and maintenance of this equipment.
- **Limitations:** The anchor is strictly limited to (ONE) individual authorized user per dedicated point of tie-off. Substrate must be a minimum of 20ga steel. Do not subject the anchor to forces exceeding its structural load data.

- **Restrictions:** No field modifications, welding, or aftermarket substitutions allowed. Do not attach lanyards to the SAPS SAP42D Pre-Slab Metal Deck Anchor stanchion post; use the factory-certified D-ring attachment point only.
- **Enclosure:** Secure 2x4 lumber with **Ear Brackets** and **Vice Clamps**. Attach industrial-rated **Debris Netting** (fastened every 12" O.C.) to prevent all falling objects.

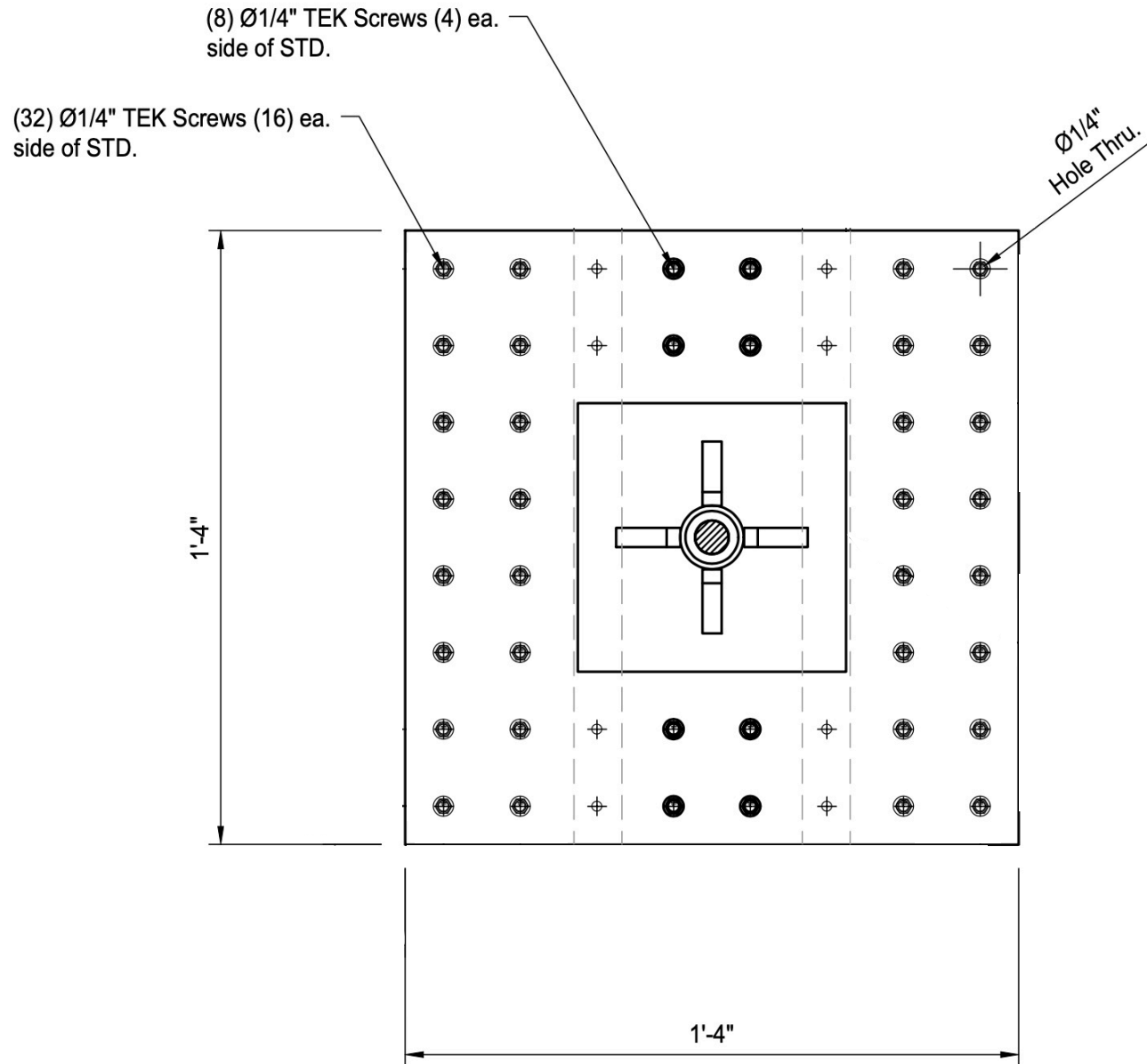
IV. Field Compliance Summary

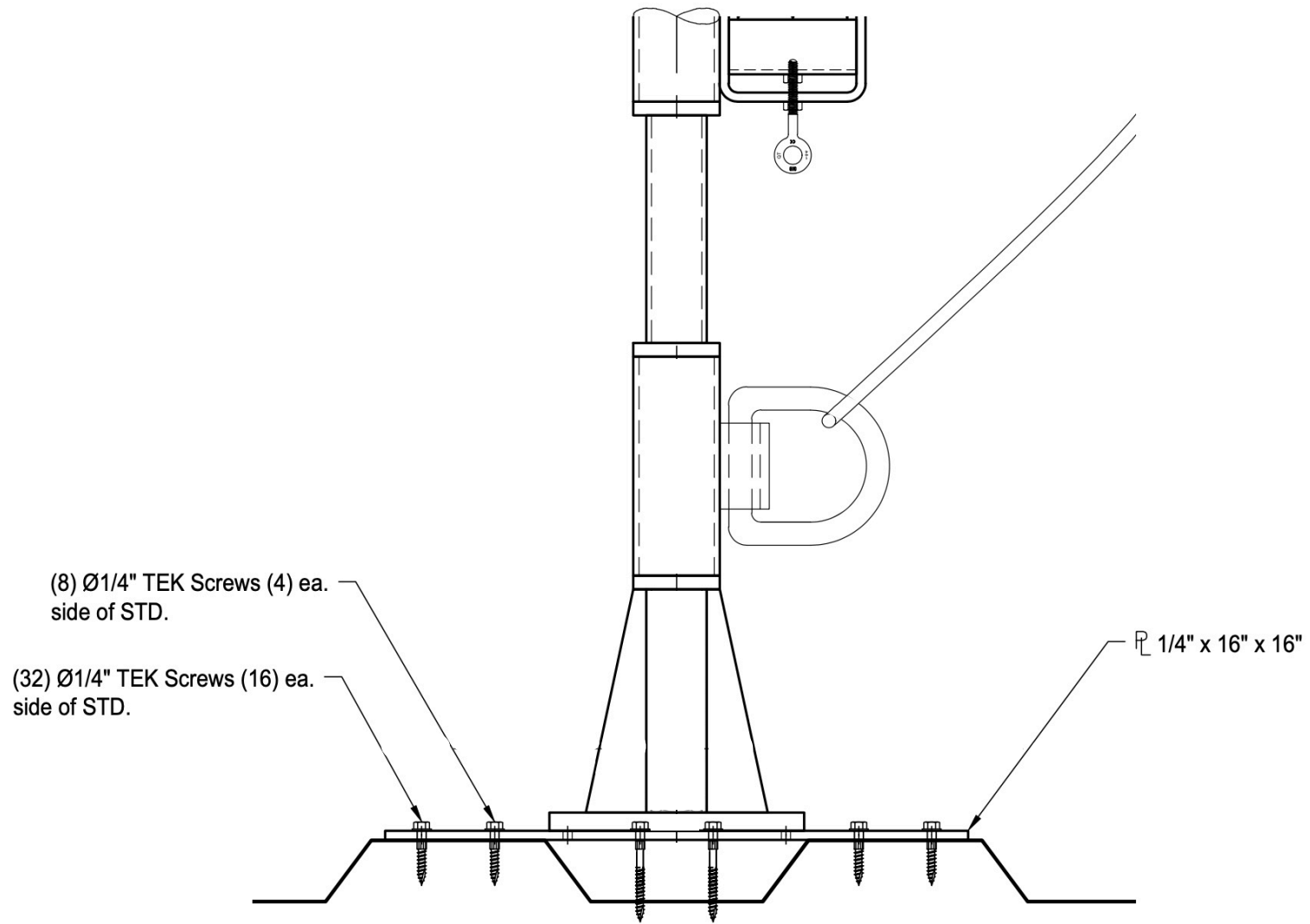
Requirement	Specification
Minimum Deck Gauge	20 ga
Minimum Edge Distance	4'-00"
Trajectory Control	8'-00" from leading edge
Max Spacing	8'-00" on center
Fastener Configuration	40 Total (32 @ 1", 8 @ 3")
Guardrail Ultimate Load	200 lb (OSHA/ANSI Compliant)
Tie-Off Rating	5,000 lbs
User Capacity	1 Authorized User Max

CRITICAL SAFETY REMINDER: System integrity is VOIDED if any fastener is omitted or incorrectly installed. Any SAPS SAP42D Pre-Slab Metal Deck Anchor subjected to fall arrest forces must be removed from service immediately.

Note: This system is engineered as a site-specific safety device. All applications must be verified by a Competent Person to ensure site-specific compliance with ANSI Z359.18-2017.

© 2026 Safety Anchor Post System (SAPS). All Rights Reserved.





Note: This system is engineered as a site-specific safety device. All applications must be verified by a Competent Person to ensure site-specific compliance with ANSI Z359.18-2017.

© 2026 Safety Anchor Post System (SAPS). All Rights Reserved.